

YASKAWA AC Drive Option

Digital Output Installation Manual

Type DO-A3

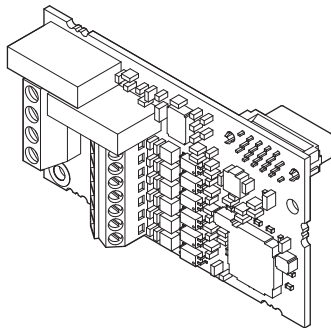
To properly use the product, read this manual thoroughly and retain for easy reference, inspection, and maintenance. Ensure the end user receives this manual.

安川インバータ オプション

デジタル出力 取扱説明書

形式 DO-A3

製品を安全にお使いいただくために、この取扱説明書を必ずお読みください。
また、本書をお手元に保管していただくとともに、最終的に本製品をご使用になるユーザー様のお手元に確実に届けられるよう、お取り計らい願います。



Copyright © 2016 YASKAWA ELECTRIC CORPORATION

All rights reserved. No part of this publication may be reproduced, stored in a retrieval system, or transmitted, in any form or by any means, mechanical, electronic, photocopying, recording, or otherwise, without the prior written permission of Yaskawa. No patent liability is assumed with respect to the use of the information contained herein. Moreover, because Yaskawa is constantly striving to improve its high-quality products, the information contained in this manual is subject to change without notice. Every precaution has been taken in the preparation of this manual. Yaskawa assumes no responsibility for errors or omissions. Neither is any liability assumed for damages resulting from the use of the information contained in this publication.

Table of Contents

1	PREFACE AND SAFETY	4
2	OVERVIEW	8
3	RECEIVING	9
4	OPTION COMPONENTS	10
5	INSTALLATION PROCEDURE	11
6	RELATED PARAMETERS	39
7	TROUBLESHOOTING	43
8	EUROPEAN STANDARDS	46
9	UNITED KINGDOM CONFORMITY ASSESSED MARKING	49
10	SPECIFICATIONS	50
11	DISPOSAL	51

1 Preface and Safety

YASKAWA Electric supplies component parts for use in a wide variety of industrial applications. The selection and application of YASKAWA products remain the responsibility of the equipment designer or end user.

YASKAWA accepts no responsibility for the way its products are incorporated into the final system design. Under no circumstances should any YASKAWA product be incorporated into any product or design as the exclusive or sole safety control. Without exception, all controls should be designed to detect faults dynamically and fail safely under all circumstances. All products designed to incorporate a component part manufactured by YASKAWA must be supplied to the end user with appropriate warnings and instructions as to the safe use and operation of that part. Any warnings provided by YASKAWA must be promptly provided to the end user. YASKAWA offers an express warranty only as to the quality of its products in conforming to standards and specifications published in the manual. **NO OTHER WARRANTY, EXPRESS OR IMPLIED, IS OFFERED.** YASKAWA assumes no liability for any personal injury, property damage, losses, or claims arising from misapplication of its products.

◆ Applicable Documentation

The following manuals are available for the option:

Digital Output DO-A3 Option

YASKAWA AC Drive Option Digital Output DO-A3 Installation Manual Manual No: TOBP C730600 81 (This book)	This guide is packaged together with the product and contains information necessary to install the option and set related drive parameters.
--	---

Yaskawa Drive

YASKAWA AC Drive Manuals	Drive manuals contain basic installation and wiring information in addition to detailed parameter setting, fault diagnostic, and maintenance information. The most recent versions of these manuals are available for download on our documentation websites: U.S.: http://www.yaskawa.com Europe: http://www.yaskawa.eu.com Japan: http://www.e-mechatronics.com Other areas: Check the back cover of these manuals. For questions, contact Yaskawa or a Yaskawa representative.
-------------------------------------	--

◆ Terms

Note:	Indicates supplemental information that is not related to safety messages
Option:	YASKAWA AC Drive Option Digital Output
Drive:	<ul style="list-style-type: none">• YASKAWA AC Drive 1000-Series (A1000, L1000A, D1000, R1000, U1000, U1000L)• YASKAWA AC Drive GA700• YASKAWA AC Drive GA800• YASKAWA AC Drive CR700• YASKAWA AC Drive CH700• YASKAWA AC Drive LA700• YASKAWA AC Drive FP605
Keypad:	<ul style="list-style-type: none">• LCD Operator for YASKAWA AC Drive 1000-Series• LED Operator for YASKAWA AC Drive 1000-Series• LCD Keypad for YASKAWA AC Drive GA700, GA800, CR700, CH700, LA700, and FP605• LED Keypad for YASKAWA AC Drive GA700, GA800, CR700, CH700, LA700, and FP605
Energy-Saving Unit:	<ul style="list-style-type: none">• YASKAWA D1000 Series Power Regenerative Converter• YASKAWA R1000 Series Power Regenerative Unit

◆ Registered Trademarks

- QR Code is a registered trademark of DENSO WAVE INCORPORATED.
- Other company names and product names in this manual are trademarks or registered trademarks of the respective companies.

◆ Supplemental Safety Information

Read and understand this manual before installing, operating, or servicing this option. Install the option according to this manual and local codes.

The following conventions indicate safety messages in this manual. Failure to heed these messages could cause fatal injury or damage products and related equipment and systems.



Indicates a hazardous situation, which, if not avoided, will cause death or serious injury.

1 Preface and Safety

WARNING

Indicates a hazardous situation, which, if not avoided, could cause death or serious injury.

CAUTION

Indicates a hazardous situation, which, if not avoided, could cause minor or moderate injury.

NOTICE

Indicates an equipment damage message.

■ **General Safety**

General Precautions

- The diagrams in this book may include options and drives without covers or safety shields to illustrate details. Be sure to reinstall covers or shields before operating any devices. Use the option according to the instructions described in this manual.
- The diagrams in this manual are provided as examples only and may not pertain to all products covered by this manual.
- The products and specifications described in this manual or the content and presentation of the manual may be changed without notice to improve the product and/or the manual.
- Contact Yaskawa or a Yaskawa representative and provide the manual number shown on the front cover to order new copies of the manual.

DANGER

Heed the safety messages in this manual.

Failure to comply will cause death or serious injury.

The operating company is responsible for any injuries or equipment damage resulting from failure to heed the warnings in this manual.

WARNING

Electrical Shock Hazard

Do not attempt to modify or alter the drive or drive circuitry in any way not explained in this manual.

Failure to comply could cause death or serious injury and will void warranty. Yaskawa is not responsible for any modification of the product made by the user. Do not modify this product.

NOTICE

Do not modify the drive or option circuitry.

Failure to comply could result in damage to the drive or option and will void warranty. Yaskawa is not responsible for any modification of the product made by the user.

Do not expose the drive or the option to halogen group disinfectants. Do not pack the drive or the option in fumigated or sterilized wooden materials. Do not sterilize the entire package after packing the product.

Failure to comply could damage electrical components in the option.

2 Overview

The Digital Output Option DO-A3 allows the user to expand the number of available digital outputs to monitor drive run status.

The option has the following features:

- Six photocoupler outputs (48 V, 50 mA or less)
- Two relay outputs (250 Vac, 1 A or less; 30 Vdc, 1 A or less)

◆ Compatible Products

The option can be used with the products in *Table 1*.

Table 1 Compatible Products

Product Series	Model(s)
A1000	All models
L1000A	All models
U1000	All models
U1000L	All models
D1000	All models
R1000	All models
GA700	All models
GA800	All models
CR700	All models
CH700	All models
LA700	All models
FP605	All models

Note: For Yaskawa customers in the North or South America region:
If your product is not listed in *Table 1*, refer to the web page below to confirm this manual is correct for your product. The web page provides a list of option manuals by product, and a direct link to download a PDF.

Scan QR code



Or refer to: <http://www.yaskawa.com/optionlookup>

3 Receiving

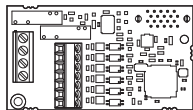
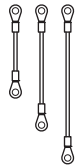

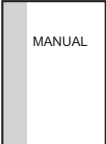
After receiving the option package:

1. Make sure that the option is not damaged and no parts are missing. Contact your sales outlet if the option or other parts appear damaged.

NOTICE: Do not use damaged parts to connect the drive and the option. Failure to comply could damage the drive and option.

2. Confirm that the model number on the option nameplate and the model listed in the purchase order are the same. Refer to [Figure 1](#) on page 10 for details. Contact the distributor where the option was purchased or contact Yaskawa or a Yaskawa representative about any problems with the option.

◆ Option Package Contents

Description:	Option	Ground Wires <1>	Screws (M3)	Installation Manual
-				
Quantity:	1	3	3 <2>	1

<1> GA700, GA800, CR700, CH700, and LA700 drives do not use the ground wire.

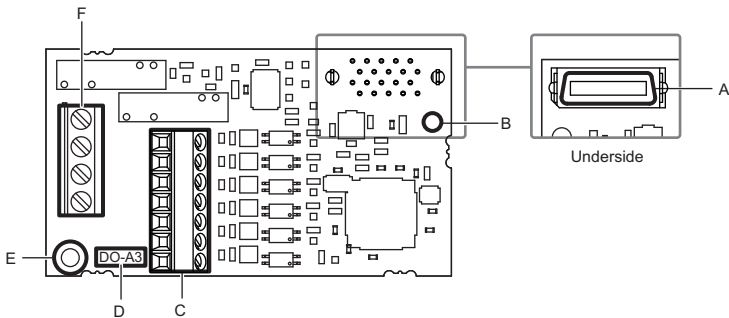
<2> GA700, GA800, CR700, CH700, LA700, and FP605 drives use two screws only.

◆ Installation Tools

- A Phillips screwdriver. Phillips screw sizes vary by drive capacity.
- A flat-blade screwdriver (blade depth: 0.4 mm (0.02 in), width: 2.5 mm (0.1 in)).
- A pair of diagonal cutting pliers.
- A small file or medium-grit sandpaper.

4 Option Components

◆ Digital Output Option



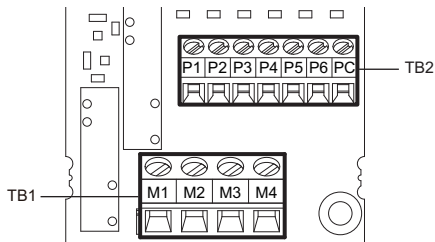
A – Connector (CN5)
B – Installation hole
C – Terminal block TB2

D – Option model number
E – Ground terminal (FE) and installation hole <1>
F – Terminal block TB1

<1> Connect the provided ground wire during installation. Installation on GA700, GA800, CR700, CH700, and LA700 drives does not require the ground wire.

Figure 1 Digital Output DO-A3 Option Components

◆ Terminal Blocks TB1 and TB2



Refer to [Table 5](#) on page 38 for details on TB1 and TB2 terminal functions and signal levels.

5 Installation Procedure

◆ Section Safety

DANGER

Electrical Shock Hazard

Do not inspect, connect, or disconnect any wiring while the drive is energized.

Failure to comply will cause death or serious injury.

Before servicing, disconnect all power to the equipment and wait for at least the time specified on the warning label. The internal capacitor remains charged even after the drive is de-energized. The charge indicator LED will extinguish when the DC bus voltage is below 50 Vdc. When all indicators are OFF, measure for unsafe voltages to confirm the drive is safe.

WARNING

Electrical Shock Hazard

Do not operate equipment with covers removed.

Failure to comply could cause death or serious injury.

The diagrams in this section may include options and drives without covers or safety shields to illustrate details. Reinstall covers and shields before operating the drive and run the drive according to the instructions described in this manual.

Do not allow unqualified personnel to perform work on the drive or option.

Failure to comply could cause death or serious injury.

Only authorized personnel familiar with installation, adjustment, and maintenance of AC drives and options may perform work.

Do not remove covers or touch circuit boards while the drive is energized.

Failure to comply could cause death or serious injury.

5 Installation Procedure

WARNING

Do not use damaged wires, stress the wiring, or damage the wire insulation.

Failure to comply could cause death or serious injury.

Fire Hazard

Tighten all terminal screws to the specified tightening torque.

Loose or overtightened connections could cause erroneous operation and damage to the terminal block or start a fire and cause death or serious injury.

NOTICE

Damage to Equipment

Observe proper electrostatic discharge (ESD) procedures when handling the option, drive, and circuit boards.

Failure to comply could cause ESD damage to circuitry.

Never connect or disconnect the motor from the drive while the drive is outputting voltage.

Improper equipment sequencing could damage the drive.

Do not connect or operate any equipment with visible damage or missing parts.

Failure to comply could further damage the equipment.

Do not use unshielded wire for control wiring.

Failure to comply may cause electrical interference resulting in poor system performance. Use shielded, twisted-pair wires and ground the shield to the ground terminal of the drive.

Properly connect all pins and connectors on the option and drive.

Failure to comply could prevent proper operation and damage equipment.

Confirm that all connections are correct after installing the option and connecting peripheral devices.

Failure to comply could damage the option.

◆ Option Installation and Wiring Procedures

Procedures for installing and wiring options differ depending on the product.

Refer to [Table 4](#) to check the procedures for installing and wiring options on a drive.

Table 2 Option Installation and Wiring Procedures

Product Series	Option Installation and Wiring Procedures	Page
A1000	Procedure A	14
L1000A	Procedure A	14
U1000	Procedure A	14
U1000L	Procedure A	14
D1000	Procedure A	14
R1000	Procedure A	14
GA700	Procedure B	21
GA800	Procedure B	21
CR700	Procedure B	21
CH700	Procedure B	21
LA700	Procedure B	21
FP605	Procedure C	28

5 Installation Procedure

■ Procedure A

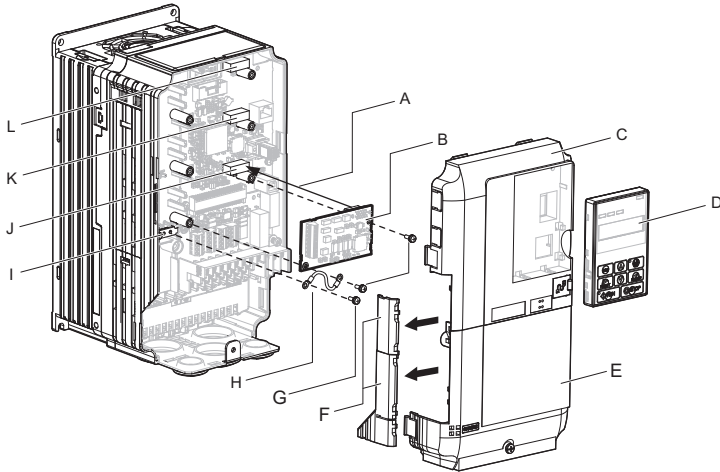
This section shows the procedure to install and wire the option on a 1000-series drive.

Prepare the Drive for the Option

1. Correctly wire the drive as specified by the manual packaged with the drive.

2. Make sure that the drive functions correctly.

Refer to [Figure 2](#) for an exploded view of the drive with the option and related components for reference in the installation procedure.



A – Insertion point for CN5

B – Option card

C – Front cover

D – Keypad

E – Terminal cover

F – Removable tabs for wire routing

G – Included screws

H – Ground wire

I – Drive grounding terminal (FE)

J – Connector CN5-A

K – Connector CN5-B

L – Connector CN5-C

Figure 2 Drive Components with Option

Install the Option

Refer to the instructions below to install the option.

DANGER! *Electrical Shock Hazard. Do not inspect, connect, or disconnect any wiring while the drive is energized. Failure to comply will cause death or serious injury. Before servicing, disconnect all power to the equipment and wait for at least the time specified on the warning label. The internal capacitor remains charged even after the drive is de-energized. The charge indicator LED will extinguish when the DC bus voltage is below 50 Vdc. When all indicators are OFF, measure for unsafe voltages to confirm the drive is safe.*

1. Shut off power to the drive, wait the appropriate amount of time for voltage to dissipate, then remove the keypad (D) and front covers (C, E). Refer to the manual packaged with the drive for details on keypad and cover removal.

NOTICE: *Damage to Equipment. Observe proper electrostatic discharge (ESD) procedures when handling the option, drive, and circuit boards. Failure to comply could cause ESD damage to circuitry.*

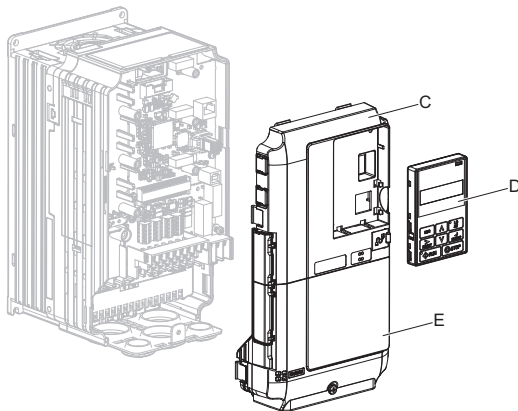


Figure 3 Remove the Keypad, Front Cover, and Terminal Cover

5 Installation Procedure

2. Insert the option card (B) into the CN5-A (J), CN5-B (K), or CN5-C (L) connector on the drive and fasten it into place using one of the included screws (G). Tighten both screws to 0.5 to 0.6 N·m (4.4 to 5.3 in·lb).

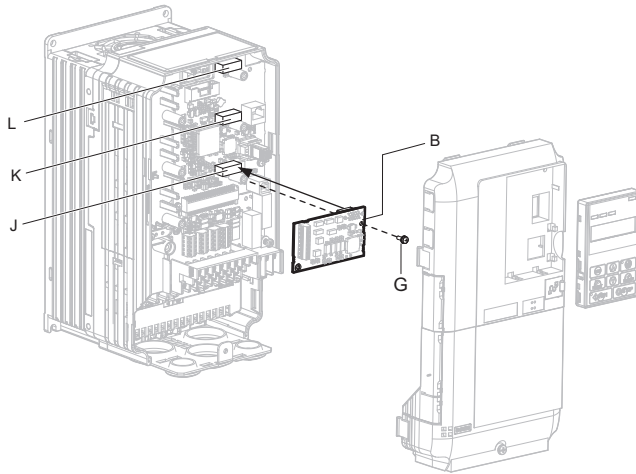


Figure 4 Insert the Option Card

3. Connect one end of the ground wire (H) to the ground terminal (I) using one of the remaining provided screws (G). Connect the other end of the ground wire (H) to the remaining ground terminal and installation hole on the option (B) using the last remaining provided screw (G). Tighten both screws to 0.5 to 0.6 N·m (4.4 to 5.3 in·lb).

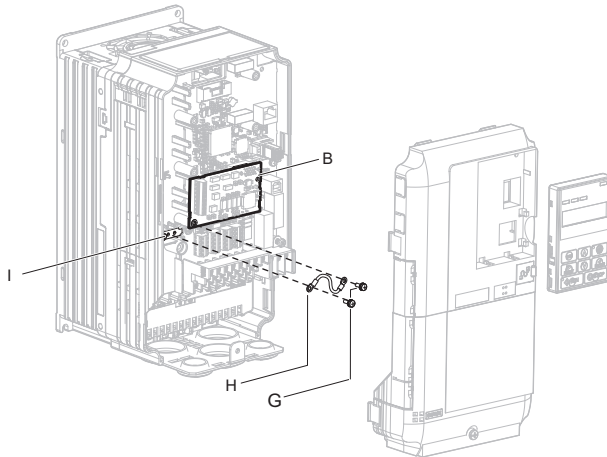


Figure 5 Connect the Ground Wire

- Note:**
1. The option package includes three ground wires. Use the longest wire to connect the option to CN5-C. Use the next longest wire to connect the option to CN5-B. Use the shortest wire to connect the option to CN5-A. Refer to [Option Package Contents on page 9](#) for more information.
 2. The drive has only two ground terminal screw holes (I). Two ground wires should share the same ground terminal when connecting three options.

5 Installation Procedure

4. Prepare and connect the wire ends as shown in [Figure 6](#) and [Figure 7](#). Refer to [Wire Gauges and Tightening Torques on page 37](#) to confirm that the proper tightening torque is applied to each terminal. Take particular precaution to ensure that each wire is properly connected and wire insulation is not accidentally pinched into electrical terminals.

WARNING! Fire Hazard. Tighten all terminal screws according to the specified tightening torque. Loose electrical connections could result in death or serious injury by fire due to overheating electrical connections. Tightening screws beyond the specified tightening torque may cause erroneous operation, damage the terminal block, or cause a fire.

NOTICE: Heat shrink tubing or electrical tape may be required to ensure that cable shielding does not contact other wiring. Insufficient insulation may cause a short circuit and damage the option or drive.

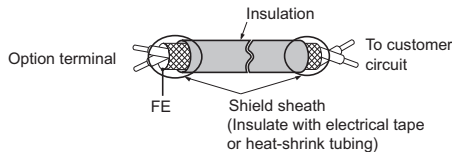


Figure 6 Prepare Ends of Shielded Cable

5. Wire the customer-supplied circuit to the terminal blocks on the option according to [Figure 7](#). Refer to [Figure 26](#) for the DO-A3 Option connection diagram. Refer to [Table 5](#) for a detailed description of the option terminal functions.

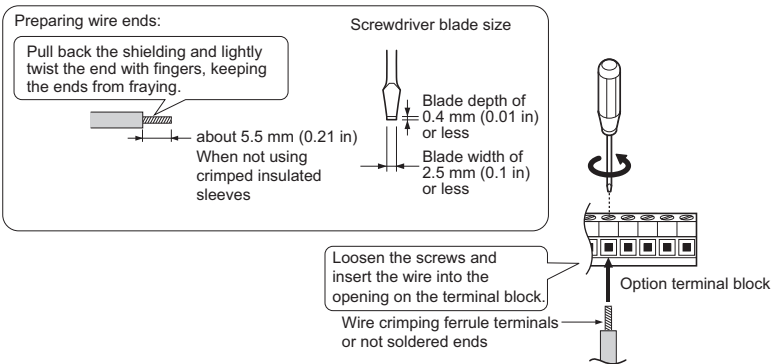


Figure 7 Connect Cable Wiring

- Route the option wiring inside the enclosure as shown in **Figure 8-B**. Take proper precautions so that the front covers will easily fit back onto the drive. Users may also choose to route the option wiring through openings on the front cover of some models. Remove the perforated tabs on the left side of the front cover as shown in **Figure 8-A** to create the necessary openings on these models. Refer to the Peripheral Devices & Options section of the drive instruction manual for more information.

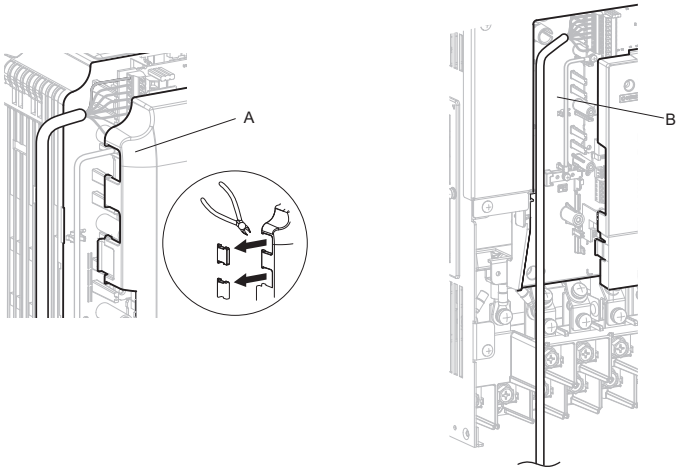


Figure 8 Wire Routing Examples

5 Installation Procedure

7. Reattach the drive front covers (C, E) and the keypad (D).

NOTICE: Do not pinch cables between the front covers and the drive. Failure to comply could cause erroneous operation.

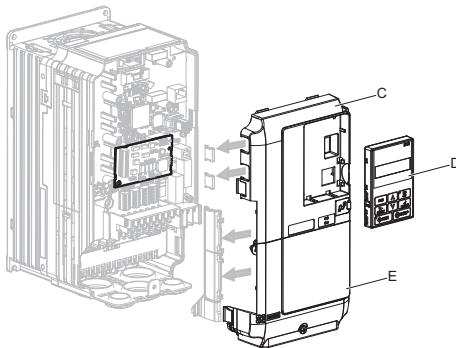


Figure 9 Replace the Front Covers and Keypad

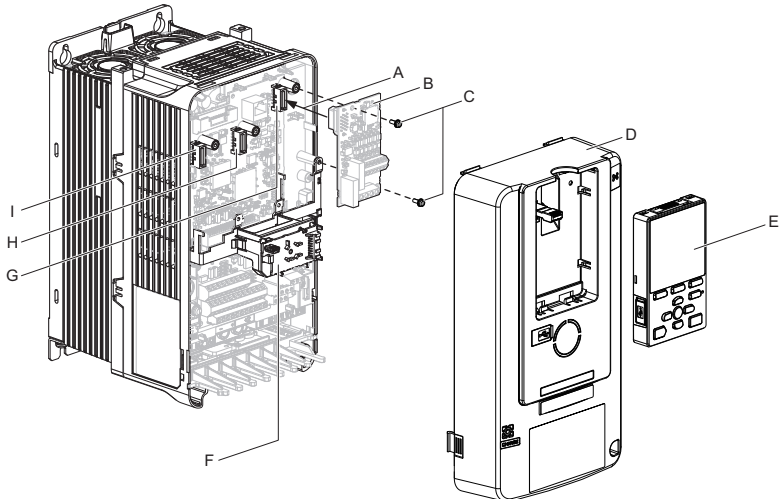
8. Set drive parameters in [Table 8](#) for correct option performance.

■ Procedure B

This section shows the procedure to install and wire the option on a GA700, GA800, CR700, CH700, or LA700 drive.

Prepare the Drive for the Option

1. Correctly wire the drive as specified by the manual packaged with the drive.
2. Make sure that the drive functions correctly.
Refer to [Figure 10](#) for an exploded view of the drive with the option and related components for reference in the installation procedure.



- | | |
|---------------------------------------|---------------------------|
| A – Insertion point for CN5 connector | F – LED Status Ring board |
| B – DO-A3 option | G – Connector CN5-A |
| C – Included screws | H – Connector CN5-B |
| D – Drive front cover | I – Connector CN5-C |
| E – Keypad | |

Figure 10 Drive Components with Option

5 Installation Procedure

Install the Option

DANGER! *Electrical Shock Hazard. Do not inspect, connect, or disconnect any wiring while the drive is energized. Failure to comply will cause death or serious injury. Before servicing, disconnect all power to the equipment and wait for at least the time specified on the warning label. The internal capacitor remains charged even after the drive is de-energized. The charge indicator LED will extinguish when the DC bus voltage is below 50 Vdc. When all indicators are OFF, measure for unsafe voltages to confirm the drive is safe.*

1. Shut off power to the drive, wait the appropriate amount of time for voltage to dissipate, confirm all charge indicator LEDs extinguish, then remove the front cover (D) including the keypad (E). Refer to the manual packaged with the drive for details on cover removal.

NOTICE: *Observe proper electrostatic discharge (ESD) procedures when handling the option, drive, and circuit boards. Failure to comply could cause ESD damage to circuitry.*

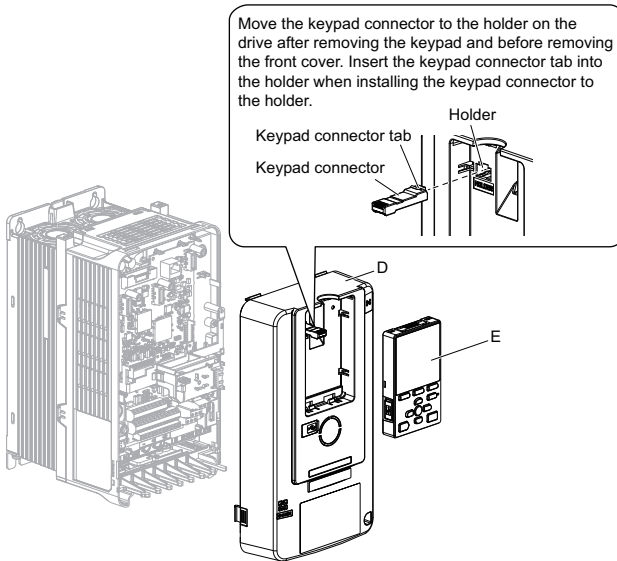


Figure 11 Remove the Front Cover Including Keypad

2. Carefully remove the LED Status Ring board (F) and place it on the right side of the drive using the temporary placement holes. Refer to the manual packaged with the drive for details on removing the LED Status Ring board.

NOTICE: Do not remove the LED Status Ring board cable connector. Failure to comply could cause erroneous operation and damage the drive.

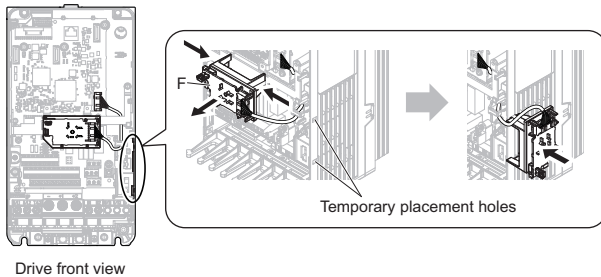


Figure 12 Remove the LED Status Ring Board

5 Installation Procedure

3. Insert the option card (B) into the CN5-A (G), CN5-B (H) and CN5-C (I) connector on the drive and fasten it into place using the included screws (C). Tighten both screws to 0.5 to 0.6 N·m (4.4 to 5.3 in·lb).

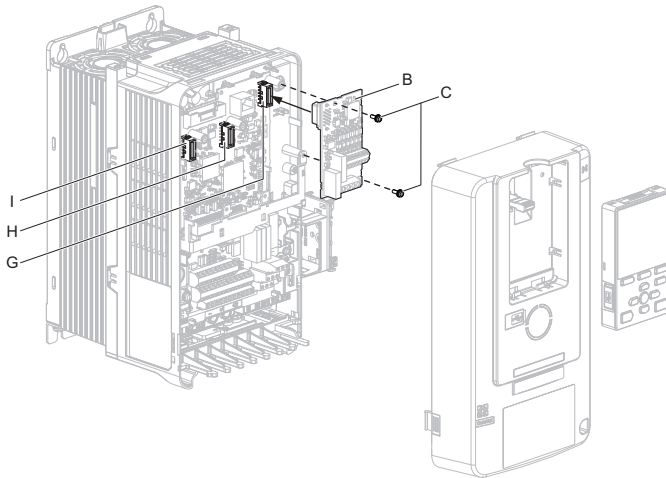


Figure 13 Insert the Option Card

Note: Installing the option card on GA700, GA800, CR700, CH700, and LA700 drives requires only two screws and does not require a ground wire. The option package ships with three screws and ground wires for installation on other product series. Do not use the ground wire or the extra screw.

4. Prepare the wire ends as shown in **Figure 14**.

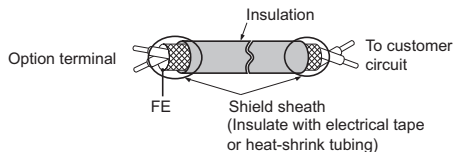


Figure 14 Prepare Ends of Shielded Cable

5. Wire the customer-supplied circuit to the terminal blocks on the option according to **Figure 15**. Refer to **Figure 26** for the DO-A3 Option connection diagram. Refer to **Table 5** for a detailed description of the option terminal functions.

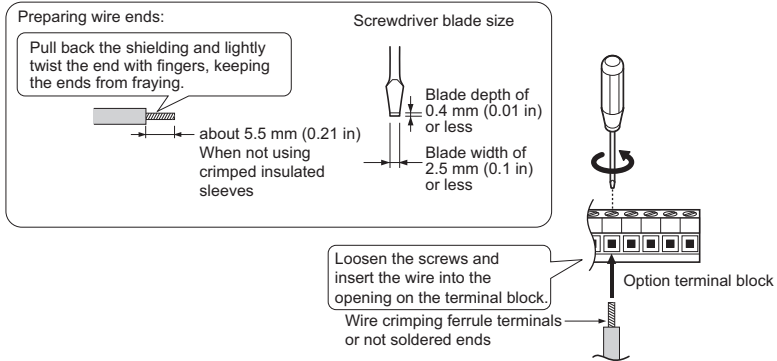


Figure 15 Connect Cable Wiring

5 Installation Procedure

6. Reattach the LED Status Ring board (F) and the front cover of the drive (D) including the keypad (E).

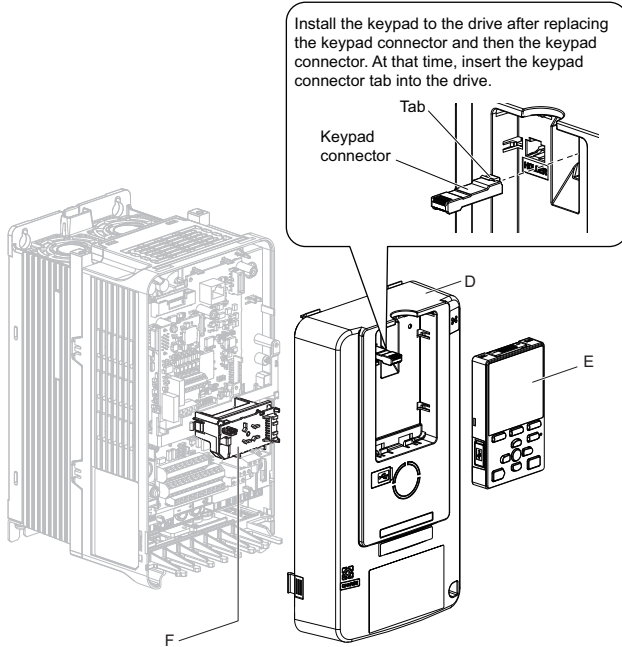
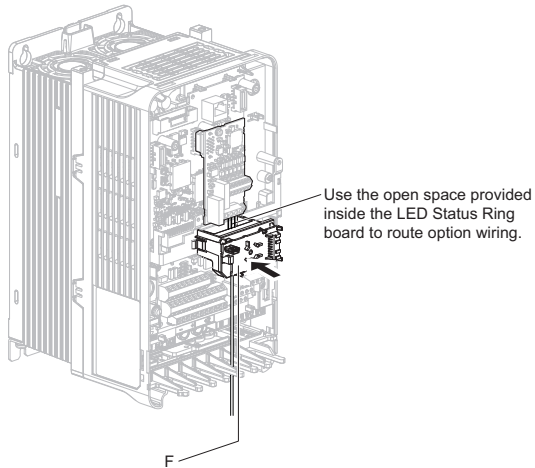


Figure 16 Replace the LED Status Ring Board, Front Cover, and Keypad

Reattach the LED Status Ring board (F).

Use the open space provided inside the LED Status Ring board to route option wiring when using connector CN5-B.

NOTICE: Do not pinch cables between the front cover or the LED Status Ring board and the drive. Failure to comply could cause erroneous operation.



7. Set drive parameters in [Table 8](#) for correct option performance.

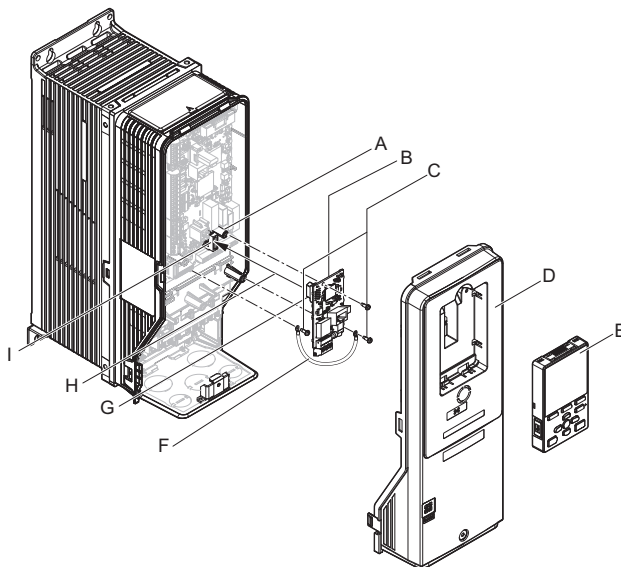
5 Installation Procedure

■ Procedure C

This section shows the procedure to install and wire the option on an FP605 drive.

Prepare the Drive for the Option

1. Correctly wire the drive as specified by the manual packaged with the drive.
2. Make sure that the drive functions correctly.
Refer to [Figure 17](#) for an exploded view of the drive with the option and related components for reference in the installation procedure.



- | | |
|-----------------------------------|---|
| A – Drive grounding terminal (FE) | F – Ground wire |
| B – Option card | G – Option modular connector CN1 |
| C – Included screws | H – Insertion point for connector (CN5-B) |
| D – Drive front cover | I – Connector CN5-B |
| E – Keypad | |

Figure 17 Drive Components with Option

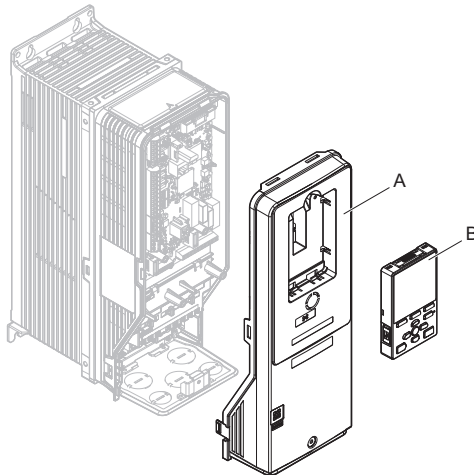
Install the Option

Refer to the instructions below to install the option.

DANGER! *Electrical Shock Hazard. Do not inspect, connect, or disconnect any wiring while the drive is energized. Failure to comply will cause death or serious injury. Before servicing, disconnect all power to the equipment and wait for at least the time specified on the warning label. The internal capacitor remains charged even after the drive is de-energized. The charge indicator LED will extinguish when the DC bus voltage is below 50 Vdc. When all indicators are OFF, measure for unsafe voltages to confirm the drive is safe.*

1. Shut off power to the drive, wait the appropriate amount of time for voltage to dissipate, then remove the keypad (B) and front covers (A). Refer to the manual packaged with the drive for details on keypad and cover removal.

NOTICE: *Damage to Equipment. Observe proper electrostatic discharge (ESD) procedures when handling the option, drive, and circuit boards. Failure to comply could cause ESD damage to circuitry.*



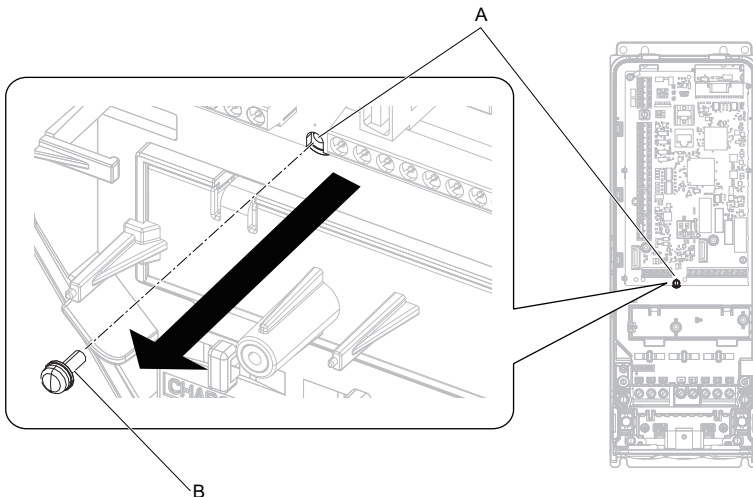
A – Drive front cover

B – Keypad

Figure 18 Remove the Front Cover and Keypad

5 Installation Procedure

2. Remove the screw (B) installed in the drive grounding terminal (A).



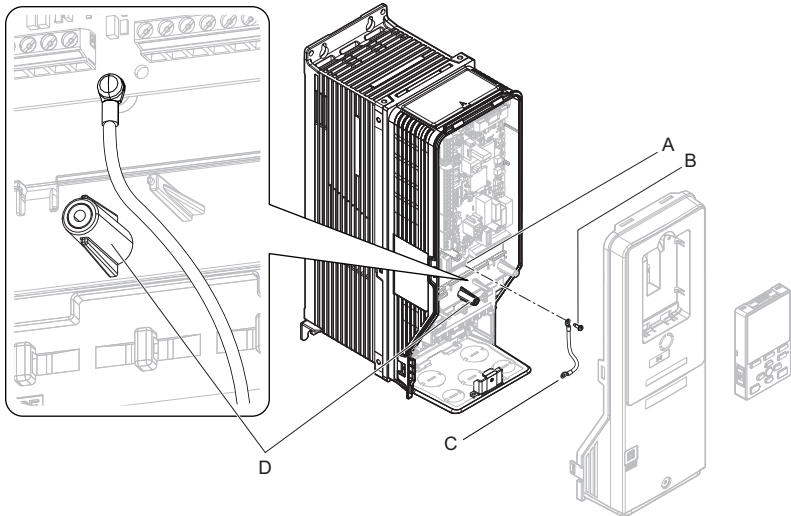
A – Drive grounding terminal (FE)

B – Included screw

Figure 19 Remove the Screw from the Drive Grounding Terminal

- Use the screw (B) installed in the FE ground terminal of the drive (A) to connect one end of the included ground wire (C) to the ground terminal on the drive.
Tighten the screw to a correct tightening torque:
 - 0.5 N·m to 0.6 N·m (4.4 in·lb to 5.3 in·lb)

Note: Route ground wire on the right side of the stud (D).



A – Drive grounding terminal (FE)

B – Included screw

C – Ground wire

D – Stud

Figure 20 Connect the Ground Wire

5 Installation Procedure

4. Install the option (A) into the CN5-B connector (C) on the drive and use the included screw (B) to put it in place.
Tighten the screw to a correct tightening torque:
 - 0.5 N·m to 0.6 N·m (4.4 in·lb to 5.3 in·lb)

Note:

1. Only two screws are necessary to install the option on FP605 drive.
2. The option package contains three screws and three ground wires.

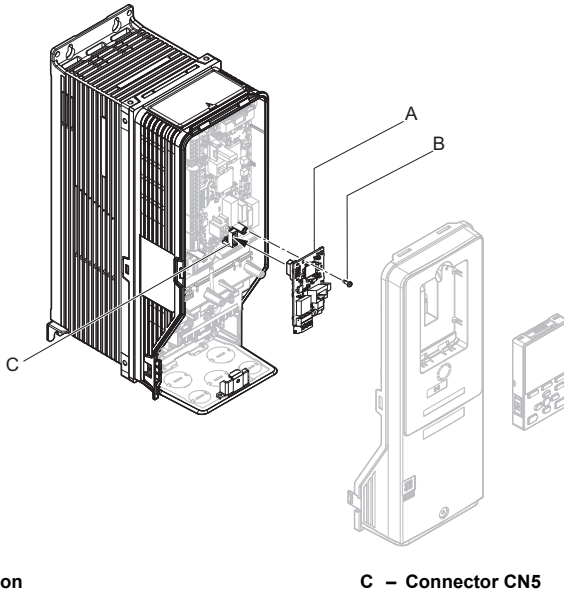


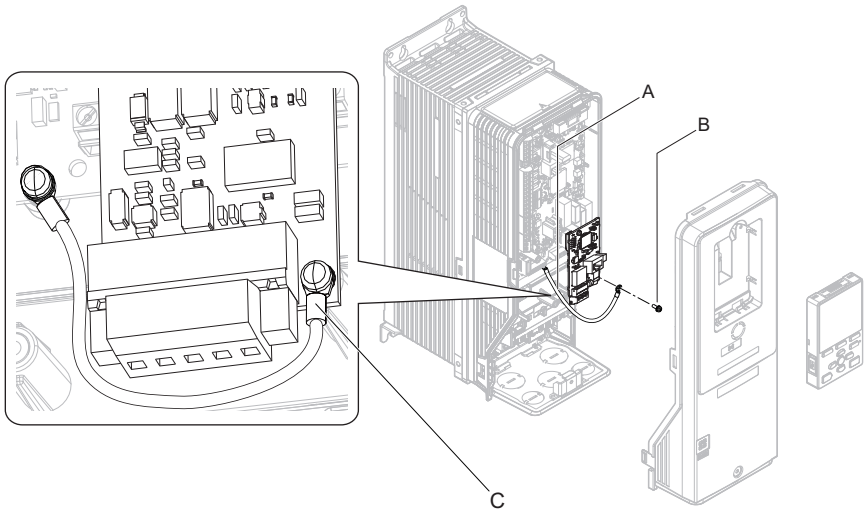
Figure 21 Install the Option

5. Use one of the remaining included screws (B) to connect the ground wire (A) to the ground terminal and installation hole on the option.

Tighten the screw to a correct tightening torque:

- 0.5 N·m to 0.6 N·m (4.4 in·lb to 5.3 in·lb)

Note: Refer to [Figure 22](#) for instruction about crimp terminal orientation (C) and wire routing.



A – Ground wire
B – Included screw

C – Crimp terminal

Figure 22 Connect the Ground Wire

5 Installation Procedure

6. Prepare and connect the wire ends as shown in [Figure 23](#) and [Figure 24](#). Refer to [Wire Gauges and Tightening Torques on page 37](#) to confirm that the proper tightening torque is applied to each terminal. Take particular precaution to ensure that each wire is properly connected and wire insulation is not accidentally pinched into electrical terminals.

WARNING! Fire Hazard. Tighten all terminal screws according to the specified tightening torque. Loose electrical connections could result in death or serious injury by fire due to overheating electrical connections. Tightening screws beyond the specified tightening torque may cause erroneous operation, damage the terminal block, or cause a fire.

NOTICE: Heat shrink tubing or electrical tape may be required to ensure that cable shielding does not contact other wiring. Insufficient insulation may cause a short circuit and damage the option or drive.

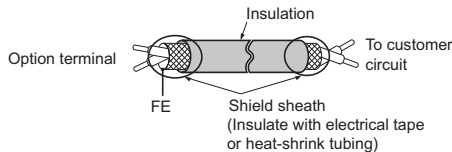


Figure 23 Prepare Ends of Shielded Cable

7. Wire the customer-supplied circuit to the terminal blocks on the option according to [Figure 24](#). Refer to [Figure 26](#) for the DO-A3 Option connection diagram. Refer to [Table 5](#) for a detailed description of the option terminal functions.

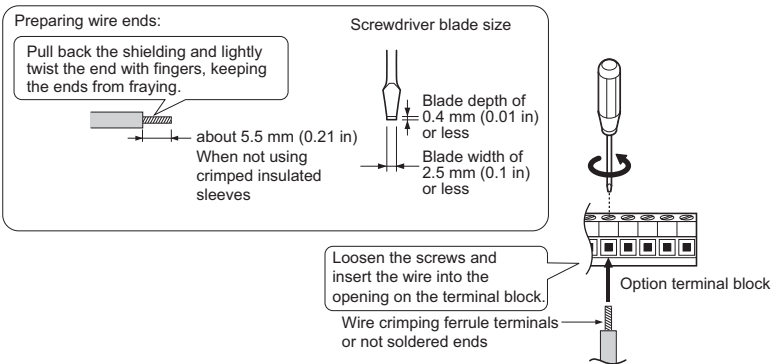
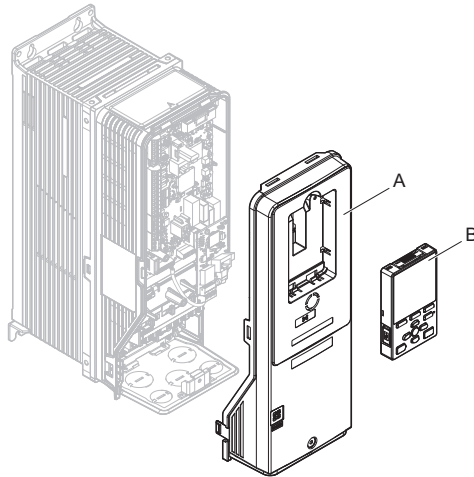


Figure 24 Connect Cable Wiring

8. Reattach the drive front covers (A) and the keypad (B).

NOTICE: Do not pinch cables between the front covers and the drive. Failure to comply could cause erroneous operation.



A – Drive front cover

B – Keypad

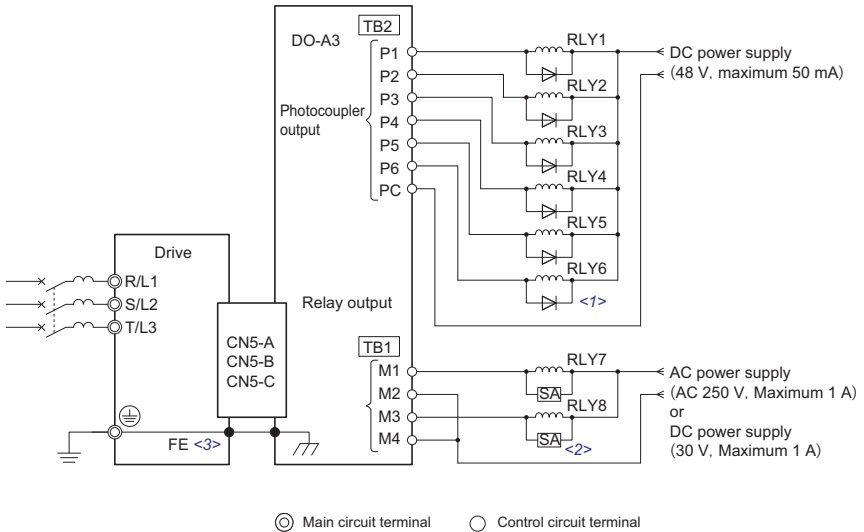
Figure 25 Replace the Front Covers and Keypad

9. Set the drive parameters in [Table 8](#) for correct option performance.

5 Installation Procedure

◆ Option Connection Diagram

Refer to [Table 5](#) on page 38 for a detailed description of the option board terminal functions. To ensure accurate control, use a stable power supply for the voltage reference source.



- <1> Double-check the polarity on the diode when connecting a DC relay.
- <2> Install a surge absorber (SA) when using an AC relay.
- <3> Connect the provided ground wire for installations on 1000-series and FP605 drives. The ground wire is not necessary for installation on GA700, GA800, CR700, CH700, and LA700 drives.

Figure 26 Option Connection Diagram

◆ Wire Gauges, Tightening Torques and Ferrule-Type Terminals

■ Wire Gauges and Tightening Torques

Wire gauge and torque specifications are listed in [Table 3](#).

Table 3 Wire Gauges and Tightening Torques

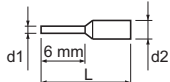
Terminal signal	Screw Size	Tightening Torque N·m (in·lb)	Bare Wire		Ferrule-Type Terminals		Wire Type
			Recommended Gauge mm ²	Applicable Gauges mm ²	Recommended Gauge mm ²	Applicable Gauges mm ²	
P1 to P6, PC	M2	0.22 to 0.25 (1.95 to 2.21)	0.75 (18 AWG)	Stranded wire: 0.25 to 1.0 (24 to 17 AWG) Solid wire: 0.25 to 1.5 (24 to 16 AWG)	0.5 (20 AWG)	0.25 to 0.5 (24 to 20 AWG)	Shielded twisted pair, etc.
M1 to M4	M3	0.5 to 0.6 (4.43 to 5.31)		Stranded wire: 0.25 to 1.5 (24 to 16 AWG) Solid wire: 0.25 to 2.5 (24 to 13 AWG)		0.25 to 1.0 (24 to 17 AWG)	

■ Ferrule-Type Terminals

Yaskawa recommends using CRIMPFOX 6 by Phoenix Contact or equivalent ferrule-type terminals with the specifications listed in [Table 4](#) for wiring to ensure proper connections.

Note: Properly trim wire ends so loose wire ends do not extend from the crimp terminals.

Table 4 Ferrule-Type Terminal Sizes

Ferrule-Type Terminal	Wire Gauge mm ²	Phoenix Contact Model	L mm (in)	d1 mm (in)	d2 mm (in)
	0.25 (24 AWG)	AI 0.25 - 6YE	10.5 (13/32)	0.8 (1/32)	2 (5/64)
	0.34 (22 AWG)	AI 0.34 - 6TQ	10.5 (13/32)	0.8 (1/32)	2 (5/64)
	0.5 (20 AWG)	AI 0.5 - 6WH	14 (9/16)	1.1 (3/64)	2.5 (3/32)

5 Installation Procedure

◆ Terminal Functions

Table 5 Option Terminal Functions

Terminal Block	Terminal	Output <1>	Output Type	Output Level
TB1	M1	Contact relay output 1	N.O. output	Maximum voltage and current: 250 Vac, 1 A 30 Vdc, 1 A
	M2			
	M3	Contact relay output 2		
	M4			
TB2	P1	Photocoupler output 1	Open-collector output	Maximum voltage and current: 48 Vdc, 50 mA
	P2	Photocoupler output 2		
	P3	Photocoupler output 3		
	P4	Photocoupler output 4		
	P5	Photocoupler output 5		
	P6	Photocoupler output 6		
	PC	Photocoupler output common	Emitter common	

<1> Set drive parameters to determine the function assigned to each output. See the drive Instruction Manual for directions on setting parameters.

6 Related Parameters

The parameters outlined in the following sections are used to set up the drive for operation with the option. Set parameters as needed. Refer to the manual packaged with the drive for details on setting parameters.

◆ Parameter F5-09

The signal output from the option can be set as follows via F5-09 (DO-A3 Output Mode Selection).

Table 6 F5-09 and Output Mode

Terminal Block	Terminal	F5-09 = 0 Individual Output (Default)	F5-09 = 1 Binary Code Output	F5-09 = 2 Multi-Function Digital Output (Default when Installed to Energy-Saving Unit)
TB1	M1-M2	Zero speed	During run	Determined by F5-07 (Terminal M1-M2 Output Selection)
	M3-M4	Speed agree	Alarm (excluding bb)	Determined by F5-08 (Terminal M3-M4 Output Selection)
TB2	P1-PC	oC (Overcurrent), GF (Ground Fault)	Binary code output (Refer to Table 7 for details.)	Determined by F5-01 (Terminal P1-PC Output Selection)
	P2-PC	ov (Overvoltage)		Determined by F5-02 (Terminal P2-PC Output Selection)
	P3-PC	oH2 (Drive Overheat Warning) or oL2 (Drive Overload)		Determined by F5-03 (Terminal P3-PC Output Selection)
	P4-PC	Not used		Determined by F5-04 (Terminal P4-PC Output Selection)
	P5-PC	oS (Overspeed)	Zero speed	Determined by F5-05 (Terminal P5-PC Output Selection)
	P6-PC	oH, oH1 (Heatsink overheat) or oL1 (Motor Overload)	Speed agree	Determined by F5-06 (Terminal P6-PC Output Selection)

6 Related Parameters

Table 7 Binary Coded Output (F5-09 = 1)

Coded Output	Description	TB2			
		Terminal P1-PC	Terminal P2-PC	Terminal P3-PC	Terminal P4-PC
0	Normal operation (no fault)	0	0	0	0
1	oC (Overcurrent), GF (Ground Fault)	1	0	0	0
2	ov (Overvoltage)	0	1	0	0
3	oL2 (Drive overload)	1	1	0	0
4	oH, oH1 (Heatsink overheat)	0	0	1	0
5	oS (Overspeed)	1	0	1	0
6	Not used	0	1	1	0
7	rr (Braking transistor fault), rH (Braking resistor overheat)	1	1	1	0
8	External fault (EF1 to EF12)	0	0	0	1
9	CPF□□, oFA□□, oFb□□, oFC□□ (Drive hardware fault) <1>	1	0	0	1
A	oL1 (Motor overload)	0	1	0	1
B	Not used	1	1	0	1
C	Uv1, Uv2 (Undervoltage), Uv3 (Soft-Charge Bypass Circuit Fault)	0	0	1	1
D	dEv (Speed deviation)	1	0	1	1
E	PGo (PG disconnect)	0	1	1	1
F	Not used	1	1	1	1

<1> The digits represented by □□ vary depending on the type of fault that occurs.

◆ Parameter Table

Note: Hex.: MEMOBUS addresses that you can use to change parameters over network communication are represented in hexadecimal numbers.

Table 8 Related Parameters

No. (Hex.)	Name	Description	Values
F5-01 (399)	Terminal P1-PC Output Selection	Sets the function output from terminal P1-PC on the option by the multi-function digital output setting value. This parameter is enabled when F5-09 is set to 2(8 channel select (F5-01 to F5-08)). </>	When installed to drive Default: 0 Range: 0 to 1FF When installed to energy-saving unit Default: F Range: 0 to 160
F5-02 (39A)	Terminal P2-PC Output Selection	Sets the function output from terminal P2-PC on the option by the multi-function digital output setting value. This parameter is enabled when F5-09 is set to 2(8 channel select (F5-01 to F5-08)). </>	When installed to drive Default: 1 Range: 0 to 1FF When installed to energy-saving unit Default: F Range: 0 to 160
F5-03 (39B)	Terminal P3-PC Output Selection	Sets the function output from terminal P3-PC on the option by the multi-function digital output setting value. This parameter is enabled when F5-09 is set to 2(8 channel select (F5-01 to F5-08)). </>	When installed to drive Default: 2 Range: 0 to 1FF When installed to energy-saving unit Default: F Range: 0 to 160
F5-04 (39C)	Terminal P4-PC Output Selection	Sets the function output from terminal P4-PC on the option by the multi-function digital output setting value. This parameter is enabled when F5-09 is set to 2(8 channel select (F5-01 to F5-08)). </>	When installed to drive Default: 4 Range: 0 to 1FF When installed to energy-saving unit Default: F Range: 0 to 160
F5-05 (39D)	Terminal P5-PC Output Selection	Sets the function output from terminal P5-PC on the option by the multi-function digital output setting value. This parameter is enabled when F5-09 is set to 2(8 channel select (F5-01 to F5-08)). </>	When installed to drive Default: 6 Range: 0 to 1FF When installed to energy-saving unit Default: F Range: 0 to 160

6 Related Parameters

No. (Hex.)	Name	Description	Values
F5-06 (39E)	Terminal P6-PC Output Selection	Sets the function output from terminal P6-PC on the option by the multi-function digital output setting value. This parameter is enabled when F5-09 is set to 2(8 channel select (F5-01 to F5-08)). <I>	When installed to drive Default: 37 Range: 0 to 1FF When installed to energy-saving unit Default: F Range: 0 to 160
F5-07 (39F)	Terminal M1-M2 Output Selection	Sets the function output from terminal M1-M2 on the option by the multi-function digital output setting value. This parameter is enabled when F5-09 is set to 2(8 channel select (F5-01 to F5-08)). <I>	When installed to drive Default: F Range: 0 to 1FF When installed to energy-saving unit Default: F Range: 0 to 160
F5-08 (3A0)	Terminal M3-M4 Output Selection	Sets the function output from terminal M3-M4 on the option by the multi-function digital output setting value. This parameter is enabled when F5-09 is set to 2(8 channel select (F5-01 to F5-08)). <I>	When installed to drive Default: F Range: 0 to 1FF When installed to energy-saving unit Default: F Range: 0 to 160
F5-09 (3A1)	DO-A3 Output Mode Selection	0: 8 channel individual 1: Binary code output 2: 8 channel select (F5-01 to F5-08)	When installed to drive Default: 0 Range: 0 to 2 When installed to energy-saving unit Default: 2 Range: 2

<I> Refer to the drive Instruction Manual for more information on setting the F5 parameters.

7 Troubleshooting

◆ Drive-Side Error Codes

Table 9 lists the various fault codes related to the option. Refer to the drive instruction manual for further details on fault codes.

Confirm the following items upon receiving an error notification on the drive keypad:

1. Correct and secure cable connections including ground wiring.
2. Proper option installation.
3. No momentary power loss occurred.

Table 9 Fault Displays, Causes, and Possible Solutions

Keypad Display		Fault Name
oFA01	oFA01	Option is not properly connected.
Cause		Possible Solution
The option connected to option port CN5-A was changed during run.		De-energize the drive and plug the option into the drive according to Installation Procedure on page 11 .
Keypad Display		Fault Name
oFb01	oFb01	Option Card Fault (CN5-B) Option is not properly connected.
Cause		Possible Solution
Option in drive port CN5-B was changed during run.		De-energize the drive and plug the option into the drive according to Installation Procedure on page 11 .
Keypad Display		Fault Name
oFb02	oFb02	Option Fault (CN5-B) Two identical options are connected at the same time.
Cause		Possible Solution
Same type of option connected to ports CN5-A and CN5-B.		Use only compatible options.
Keypad Display		Fault Name
oFC01	oFC01	Option is not properly connected.
Cause		Possible Solution
Option at drive port CN5-C was changed during run.		De-energize the drive and plug the option into the drive according to Installation Procedure on page 11 .

7 Troubleshooting

Keypad Display		Fault Name
oFC02	oFC02	Option Fault (CN5-C)
		Two identical options are connected at the same time.
Cause		Possible Solution
Same type of option connected to unit ports CN5-A, CN5-B, and CN5-C.		Use only compatible options.

◆ Option Compatibility

Users may connect up to 3 options simultaneously depending on the type of option. Refer to [Table 10](#) for details.

- Note:**
1. You can connect two options to an FP605 drive. Connect the communication option to the CN5-B connector.
 2. Compatible communication options are different for different models. Refer to the drive manuals for more information.

Table 10 Option Compatibility

Option Card	Connector	Number of Cards Possible
PG-B3 <1>, PG-X3 <1>	CN5-B, C	2 <2>
PG-RT3 <1> <3> <4>, PG-F3 <1> <3> <4>	CN5-C	1
DO-A3, AO-A3	CN5-A, B, C	1
SI-C3, SI-N3, SI-P3, SI-S3, SI-T3, SI-ET3, SI-ES3, SI-B3, SI-M3, SI-W3 <4>, SI-EM3 <4>, SI-EM3D <4>, SI-EN3 <4>, SI-EN3D <4>, SI-EP3, JOHB-SMP3, AI-A3 <5>, DI-A3 <5>	CN5-A	1

<1> Not available with FP605.

<2> When connecting two PG option cards, use both CN5-B and CN5-C. When connecting only one PG option card, use the CN5-C connector.

<3> Not available for the application with Motor 2 Selection.

<4> Not available with 1000-Series products with a capacities between 450 and 630 kW.

<5> When you use the input status of AI-A3 and DI-A3 as a monitor, you can connect AI-A3 and DI-A3 to CN5-A, CN5-B, and CN5-C.

◆ Preventing Electrical Signal Interference

Take the following steps to prevent erroneous operation caused by electrical signal interference:

- Use shielded wire for the signal lines.
- Limit the length of wiring under 50 m (164 ft).
- Separate the control wiring to the option, main circuit wiring, and power lines.

■ Interface Circuit

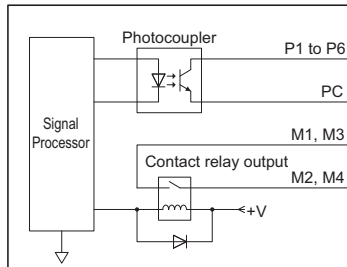


Figure 27 Output Interface Circuit

8 European Standards



Figure 28 CE Mark

The CE mark indicates compliance with European safety and environmental regulations.

European standards include the Machinery Directive for machine manufacturers, the Low Voltage Directive for electronics manufacturers, and the EMC Directive for controlling noise.

It is required for engaging in business and commerce in Europe.

This option displays the CE mark based on the EMC Directive: 2014/30/EU.

Drives used in combination with this option and devices used in combination with the drive must also be CE certified and display the CE mark.

When using drives displaying the CE mark in combination with other devices, it is ultimately the responsibility of the user to ensure compliance with CE standards. Verify that conditions meet European standards after setting up the device.

◆ EMC Directive Compliance

This option is tested according to European standards EN 61800-3 and complies with EMC Directive. The CE marking is declared based on the harmonized standards.

■ EMC Directive Installation Conditions

Verify the following installation conditions to ensure that other devices and machinery used in combination with this option and drives also comply with EMC Directive:

1. Use dedicated shield cable for the option and external device (encoder, I/O device, master), or run the wiring through a metal conduit.
2. Keep wiring as short as possible and ground the largest possible surface area of the shield to the metal panel according to [Figure 29](#) and [Figure 30](#).

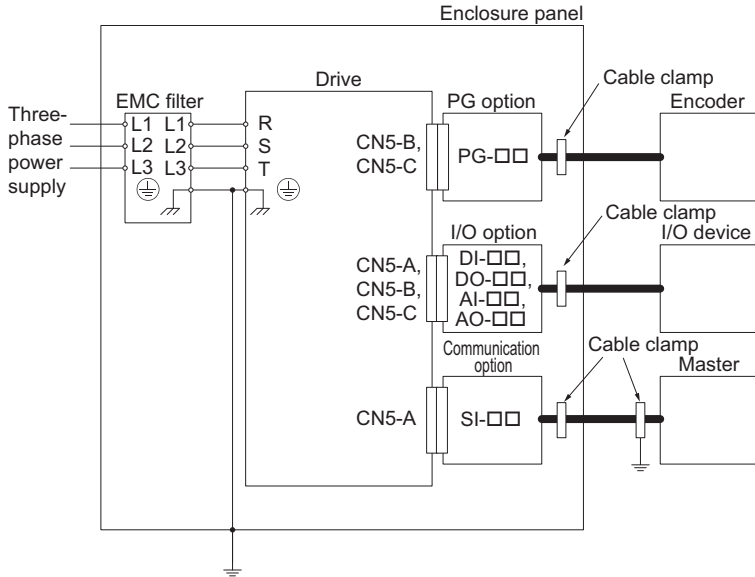


Figure 29 Option Installation for CE Compliance: 1000-Series, GA700, GA800, CR700, CH700, LA700

8 European Standards

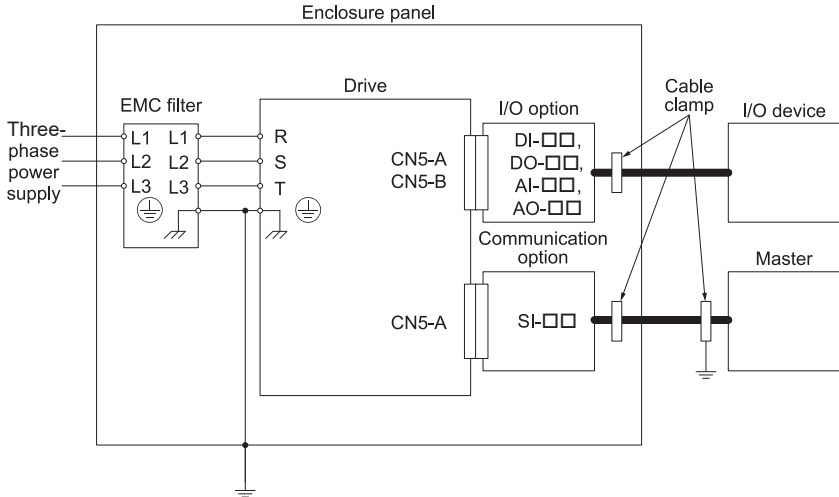
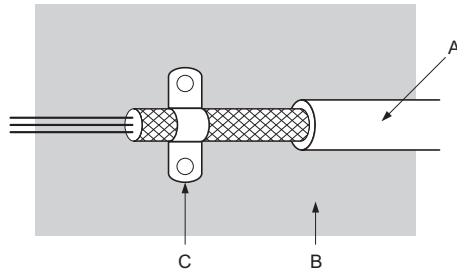


Figure 30 Option Installation for CE Compliance: FP605

3. Ground the largest possible surface area of the shield to the metal panel. Yaskawa recommends using cable clamps.



A – Braided shield cable
B – Metal panel

C – Cable clamp (conductive)

Figure 31 Ground Area

9 United Kingdom Conformity Assessed Marking



Figure 32 UKCA Mark

The UKCA mark indicates compliance with United Kingdom safety and environmental regulations.

It is required for engaging in business and commerce in the United Kingdom.

United Kingdom standards include the Supply of Machinery (Safety) Regulations (Machinery) for machine manufacturers, the Electrical Equipment (Safety) Regulations (Low voltage) for electronics manufacturers, and the Electromagnetic Compatibility Regulations (EMC) for controlling noise.

This product displays the UKCA mark in accordance with the EMC.

Table 11 Designated Standards

Statutory Instruments	Designated Standards
Electromagnetic Compatibility Regulations S.I. 2016 No. 1091	EN 61800-3 <I>
Restriction of the Use of Certain Hazardous Substances in Electrical and Electronic Equipment Regulations S.I. 2012 No. 3032	EN IEC 63000 <I>

<I> Refer to the "UK Declaration of Conformity" for the year of the Designated Standards.

When using drives displaying the UKCA mark in combination with other devices, it is ultimately the responsibility of the user to ensure compliance with UKCA standards. Verify that conditions meet applicable United Kingdom standards after setting up the device.

10 Specifications

Table 12 Option Specifications

Item	Description
Model	DO-A3
Photocoupler Output	6 outputs (common emitter) Maximum allowable voltage/current: 48 Vdc/50 mA
Contact Relay Output	2 outputs (independent) Maximum allowable voltage/current: 250 Vac/maximum 1 A, 30 Vdc/maximum 1 A
Ambient Temperature	-10°C to +50°C (14°F to 122°F)
Humidity	95% RH or lower with no condensation
Storage Temperature	-20°C to +60°C (-4°F to +140°F) allowed for short-term transport of the product
Area of use	Indoors and free from: <ul style="list-style-type: none">• Oil mist, corrosive gas, flammable gas, and dust• Radioactive materials or flammable materials, including wood• Harmful gas or fluids• Salt• Direct sunlight• Falling foreign objects
Altitude	1000 m (3280 ft) or lower

11 Disposal

◆ Disposal Instructions

Correctly dispose of the product and packing material as specified by applicable regional, local, and municipal laws and regulations.

◆ WEEE Directive



The wheeled bin symbol on this product, its manual, or its packaging identifies that you must recycle it at the end of its product life.

You must discard the product at an applicable collection point for electrical and electronic equipment (EEE). Do not discard the product with usual waste.

11 Disposal

◆ Revision History

Revision dates and manual numbers are located on the bottom of the back cover.

MANUAL NO.

TOBP C730600 81B <1>-0

Web revision number

Revision number

Published in Japan April 2017

Date of publication

Date of Publication	Revision Number	Web Rev. No.	Section	Revised Content
January 2026	<7>	0	Back cover	Revision: Address
September 2023	<6>	0	All	Addition: Information on LA700 Revision: Reviewed and corrected entire documentation.
			Chapter 9	Addition: United Kingdom Conformity Assessed Marking
			Back cover	Revision: Address
February 2022	<5>	0	All	Addition: Information on FP605 Revision: Reviewed and corrected entire documentation.
September 2020	<4>	0	Back cover	Revision: Address
October 2018	<3>	0	All	Addition: Information on GA800 Revision: Reviewed and corrected entire documentation.
			Back cover	Revision: Address
July 2017	<2>	0	Chapter 2	Addition: Note in Table 1
			Back cover	Revision: Address
April 2017	<1>	0	All	Addition: Information on CR700 and CH700 Revision: Reviewed and corrected entire documentation.
			Back cover	Revision: Address
April 2016	-	-	-	First edition

YASKAWA AC Drive Option

Digital Output

Installation Manual

DRIVE CENTER (INVERTER PLANT)

2-13-1, Nishimiyachi, Yakuhashi, Fukuoka, 824-8511, Japan
Phone: +81-930-25-2548 Fax: +81-930-25-3431
www.yaskawa.co.jp

YASKAWA ELECTRIC CORPORATION

New Pier Takeshiba South Tower, 1-16-1, Kaigan, Minatoku, Tokyo, 105-6891, Japan
Phone: +81-3-5402-4502 Fax: +81-3-5402-4580
www.yaskawa.co.jp

YASKAWA AMERICA, INC.

2121, Norman Drive South, Waukegan, IL 60085, U.S.A.
Phone: +1-800-YASKAWA (627-5252) or +1-847-887-7000 Fax: +1-847-887-7310
www.yaskawa.com

YASKAWA ELÉTRICO DO BRASIL LTDA.

777, Avenida Piraporinha, Diadema, São Paulo, 09950-000, Brasil
Phone: +55-11-3585-1100 Fax: +55-11-3585-1187
www.yaskawa.com.br

YASKAWA EUROPE GmbH

Philipp-Reis-Str. 6, 65795 Hattersheim am Main, Germany
Phone: +49-6196-568-300
www.yaskawa.eu.com E-mail: support@yaskawa.eu

YASKAWA ELECTRIC KOREA CORPORATION

6F, 112, L.S-ro, Dongan-gu, Anyang-si, Gyeonggi-do, Korea
Phone: +82-31-8015-4224 Fax: +82-31-8015-5034
www.yaskawa.co.kr

YASKAWA ASIA PACIFIC PTE. LTD.

30A, Kallang Place, #06-01, 339213, Singapore
Phone: +65-6282-3003 Fax: +65-6289-3003
www.yaskawa.com.sg

YASKAWA ELECTRIC (THAILAND) CO., LTD.

59, 1F-5F, Flourish Building, Soi Ratchadapisek 18, Ratchadapisek Road, Huaykwang, Bangkok, 10310, Thailand
Phone: +66-2-017-0099 Fax: +66-2-017-0799
www.yaskawa.co.th

YASKAWA ELECTRIC (CHINA) CO., LTD.

22F, Link Square 1, No.222, Hubin Road, Shanghai, 200021, China
Phone: +86-21-5385-2200 Fax: +86-21-5385-3299
www.yaskawa.com.cn

YASKAWA ELECTRIC (CHINA) CO., LTD. BEIJING OFFICE

Room 1011, Tower W3 Oriental Plaza, No. 1, East Chang An Avenue,
Dong Cheng District, Beijing, 100758, China
Phone: +86-10-8518-4086 Fax: +86-10-8518-4082

YASKAWA ELECTRIC TAIWAN CORPORATION

12F, No. 207, Section 3, Beishin Road, Shindian District, New Taipei City 23143, Taiwan
Phone: +886-2-8913-1333 Fax: +886-2-8913-1513 or +886-2-8913-1519
www.yaskawa.com.tw

YASKAWA INDIA PRIVATE LIMITED

#17/A, Electronics City, Hosur Road, Bengaluru, 560 100 (Karnataka), India
Phone: +91-80-4244-1900 Fax: +91-80-4244-1901
www.yaskawaindia.in

YASKAWA

YASKAWA ELECTRIC CORPORATION

In the event that the end user of this product is to be the military and said product is to be employed in any weapons systems or the manufacture thereof, the export will fall under the relevant regulations as stipulated in the Foreign Exchange and Foreign Trade Act. Therefore, be sure to follow all procedures and submit all relevant documentation according to any and all rules, regulations and laws that may apply.

Specifications are subject to change without notice for ongoing product modifications and improvements.

© 2016 YASKAWA ELECTRIC CORPORATION

MANUAL NO.

TOBP C730600 81F <7>-0

Published in Japan January 2026
25-9-27